

IN-SIGHT 8000 SERIES VISION SYSTEMS



The In-Sight® 8000 series, a new family of ultra-compact, standalone smart camera vision systems, delivers industry-leading vision tool performance at PC speeds, all in the form factor of a traditional GigE Vision® camera.

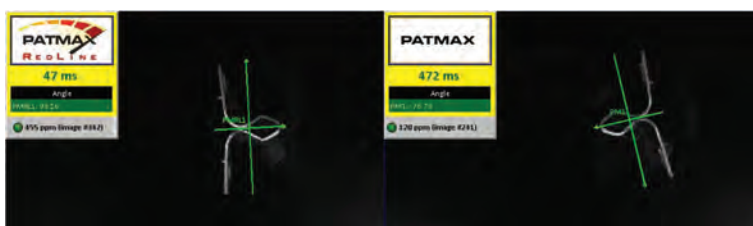
- World's smallest, full line, standalone vision system available in VGA, 1MP, 2MP and 5MP resolutions
- Powerful vision tool library including new PatMax RedLine™ and color ID tools
- Step by step application setup with EasyBuilder, and flexibility of added control with spreadsheet and scripting
- High Speed communication with Gigabit Ethernet
- Fast acquisition VGA, 1MP and 2MP cameras

Compact vision system fits just about anywhere

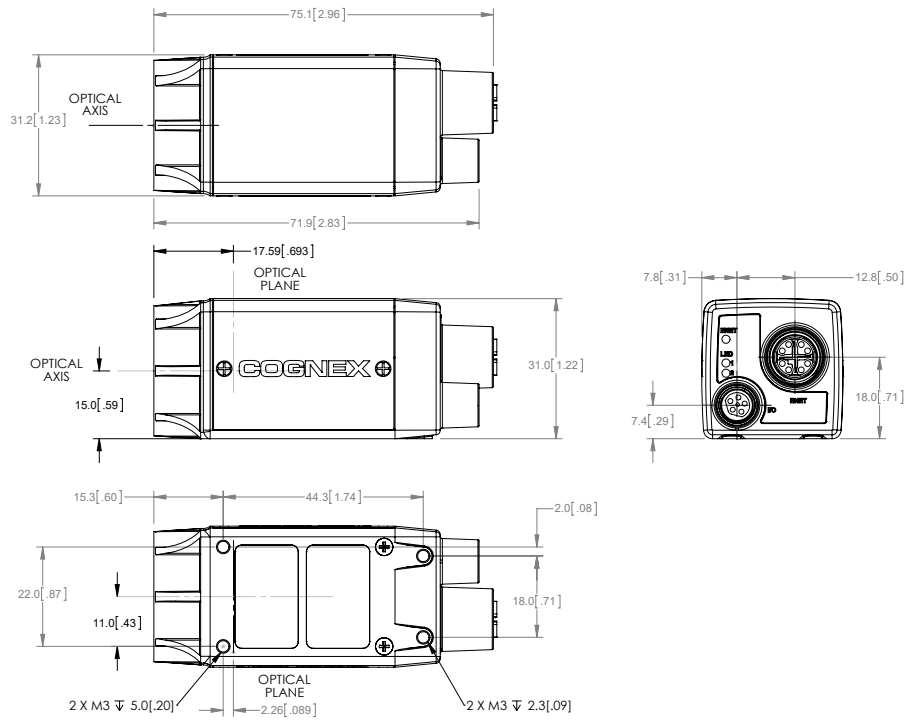
In-Sight 8000 series compresses an entire stand-alone vision system into an amazingly small package. Its compact size, together with Power over Ethernet (PoE) to minimize cabling makes the In-Sight 8000 vision system family ideal for integrating into tight spaces on robots and hard-to-reach machinery anywhere on the production line. From high acquisition speed VGA to high resolution 5MP system, the In-Sight 8000 delivers the resolution and speed you need for your application, in a package the size of an image capture only camera.

PatMax, completely reinvented

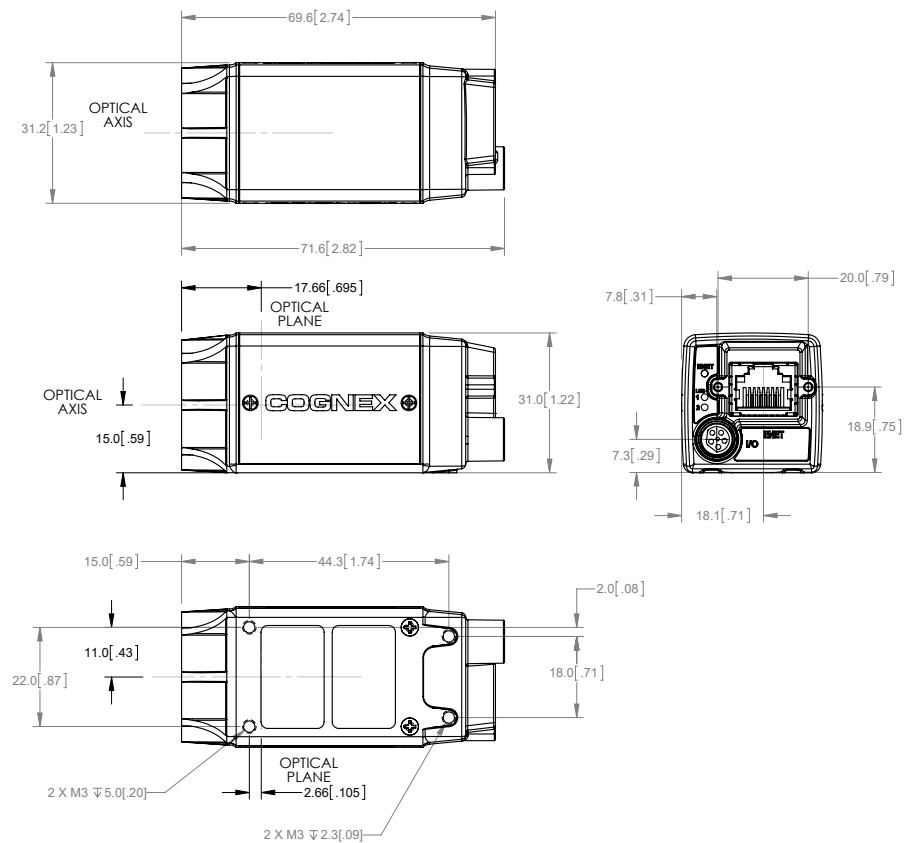
PatMax RedLine was designed with one goal in mind: blazing fast pattern matching. In typical applications, PatMax RedLine runs 4 to 7 times faster than PatMax — or faster! — with no loss of search accuracy or robustness. Together with PatMax RedLine, the 8000 series can reduce cycle times and increase throughput without compromising inspection accuracy.



In-Sight 8200, 8400, 8401, 8402



In-Sight 8405



SPECIFICATIONS

	In-Sight 8200	In-Sight 8400	In-Sight 8401	In-Sight 8402	In-Sight 8405
Performance Factor	1X	2.3X			
Image Type	Monochrome and Color				Monochrome
Job/Program Memory	512 MB				
Image Processing Memory	512 MB				
Sensor Type	CMOS, global shutter				CMOS, rolling shutter
Resolution	640 x 480	1280 x 1024	1600 x 1200	2592 x 1944	
Acquisition Rate (fps)	217 (monochrome) 135 (color)	76 (monochrome) 45 (color)	53 (monochrome) 33 (color)	13 (monochrome)	
Lens Type	C mount				
Indicator LEDs	Network status; 2 configurable LEDs				
Built in IO	1 dedicated trigger in, 2 high speed outputs (including strobe). Additional IO available via external IO modules: CIO-MICRO				
Power	Class 2 Power over Ethernet (PoE)				
Industrial Connectors	M12: Power/Ethernet; M8: I/O				RJ45: Power/Ethernet; M8:IO
Industrial Protocols	OPC UA, EtherNet/IP with AOP, PROFINET Class B, iQSS, Modbus TCP, SLMP/SLMP Scanner, CC-Link IE Field Basic				
Size	31 mm x 31.2 mm x 75.1 mm				31 mm x 31.2 mm x 71.6 mm
Weight	132.2 g				78 g
Network Speed	1G (1000)/100/10 Mbps				
Rockwell Add-on Profile	Yes				

Note: All In-Sight 8000 models have full vision tool suite with PatMax. Optional PatMax RedLine tool.

COGNEX

Companies around the world rely on Cognex vision and barcode reading solutions to optimize quality, drive down costs and control traceability.

Corporate Headquarters One Vision Drive Natick, MA 01760 USA

Regional Sales Offices

Americas

North America +1 844-999-2469
Brazil +55 (11) 2626 7301
Mexico +01 800 733 4116

Europe

Austria +49 721 958 8052
Belgium +32 289 370 75
France +33 1 7654 9318
Germany +49 721 958 8052

Hungary +36 800 80291
Ireland +44 121 29 65 163
Italy +39 02 3057 8196
Netherlands +31 207 941 398
Poland +48 717 121 086
Spain +34 93 299 28 14
Sweden +46 21 14 55 88
Switzerland +41 445 788 877
Turkey +90 216 900 1696
United Kingdom +44 121 29 65 163

Asia

China +86 21 6208 1133
India +9120 4014 7840
Japan +81 3 5977 5400
Korea +82 2 539 9980
Malaysia +6019 916 5532
Singapore +65 632 55 700
Taiwan +886 3 578 0060
Thailand +66 88 7978924
Vietnam +84 2444 583358

© Copyright 2019, Cognex Corporation. All information in this document is subject to change without notice. All Rights Reserved. Cognex, PatMax, In-Sight, and EasyBuilder, are registered trademarks of Cognex Corporation. PatMax Redline, OCRMax, and QuickBuild are trademarks of Cognex Corporation. All other trademarks are property of their respective owners. Lit. No. ISM8000-DS-10-2019-EN

www.cognex.com