

## DATAMAN VERIFIERS

INDUSTRIAL ID | VERIFIERS | 2-D CODE VERIFICATION

- **Fully integrated designs**  
Lighting, camera, positioning and software all in one package.
- **Compliant results**  
Meet industry 2-D code quality standards.
- **Ease-of-use**  
Two model options—handheld or fixed-mount delivers maximum flexibility.



### Reliable, compliant results

Cognex® DataMan® 2-D (Data Matrix) verifiers provide manufacturers with reliable results needed to comply with the latest 2-D code quality standards, mandated by most industries today.

DataMan Verifiers include handheld and fixed-mount platforms for the ultimate in flexibility.

### Dataman handheld verifiers

As the only portable, compliant handheld verifier available on the market, the DataMan 8600V series verifiers offer superior ease-of-use and are highly cost effective. Using a handheld verifier, manufacturers can perform verification on the factory floor, rather than at a remote or fixed verification station.

- **Integrated lighting**  
DataMan 8600V series verifiers incorporate 30 degree dark field lighting and are ideal for verifying nameplates and other flat parts.
- **Mechanical standoff**  
Ensures uniform illumination and a fixed working distance.
- **Reliable**  
The only handheld verifier that conforms to AIM DPM standards and produces compliant results to the AIM DPM Quality Guideline 2006-1 with 30 degree angle lighting.

### Dataman fixed-mount verifiers

The DataMan 100 verification system provides manufacturers with a solution to verify the widest range of parts using a verifier that conforms to the ISO15426-2 verification system standards.

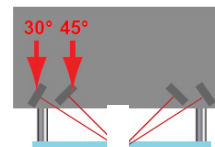
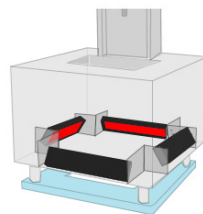
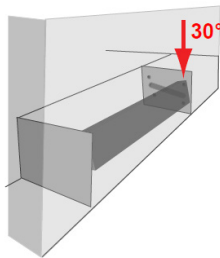
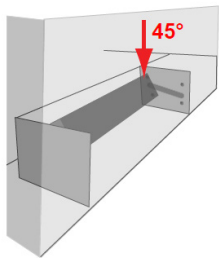
- **flexible mounting**  
Can be mounted to a fixed location or used together with the optional 10 inch X-Z adjustable stand.
- **flexible lighting**  
Includes adjustable 30/45 degree low angle lighting and 90 degree DOAL lighting for the widest range of parts and mark types.
- **Flexible optics**  
Adjustable optics enable the verification of codes with cell sizes as small as 7.5 mils to overall code sizes of 1 in. or 25 mm.
- **ISO15426-2 compliance**  
The DataMan 100 verification system has been tested to comply with the results of 'Judge' certified cards from GS1. Judge cards are tested on the 10x capable industry benchmark verifier.
- **Capable**  
Provides compliant results for the AIM DPM Quality Guideline 2006-1, ISO15415 and AS9132.
- **Easy set up**  
System includes a control box with integrated I/O, power and lighting quick connect cable.

## SPECIFICATIONS

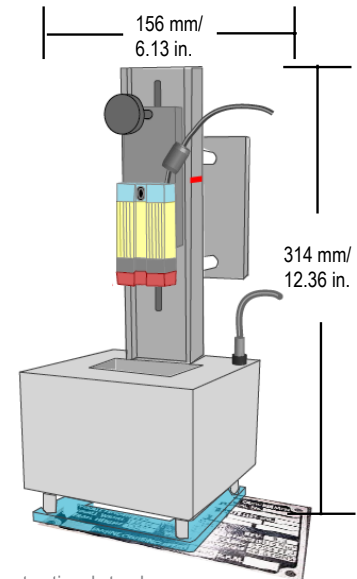
### DataMan 8600V Series

### DataMan 100 Series

Standards Compliance	AIM DPM 2006-1 Snap on Stand-Off accessory to ensure proper WD and 30 degree lighting angle relative to the code. Calibration card included.	AIM DPM 2006-1, ISO15415, ISO15426-2 and AS9132
Data Validation	US DoD UID Guidelines. GS1, ISO15434, ISO15418	US DoD UID Guidelines, GS1, ISO15434, ISO15418
Lighting	30 degree and Ultralight	30, 45 and 90 degree
Code Size — Maximum	0.5 in. or 12.5 mm	1 in. or 25.4 mm
Code Cell Size — Minimum	7.5 mils	7.5 mils
Electrical	DataMan 8600V with Serial USB: 5V – 6V DC, 5.0 W maximum LPS or NEC Class 2 power supply DataMan 8600V with Ethernet: PoE Class 2 power supply DataMan 8600V with Bluetooth DataMan 8600V with Wi-Fi	Power supply included with DMR-100V-02
Code Verified	2-D data matrix	2-D data matrix
Report Generation Capability	PDF	PDF
Imager	1280 x 1024	752 x 480
Communications	USB, RS-232, Ethernet, Bluetooth with intelligent Bluetooth base station, and Wi-Fi with intelligent Wi-Fi base station	USB
Software Interface	DataMan setup tool	DataMan setup tool



The DataMan 100 Verifier supports 30° and 45° (shown) and 90° (not shown) lighting angles



The DataMan 100 Series, shown without optional stand.

# COGNEX

Companies around the world rely on Cognex vision and ID to optimize quality, drive down costs and control traceability.

Corporate Headquarters One Vision Drive Natick, MA 01760 USA

### Americas

Americas +1 844-999-2469

### Europe

Austria +49 721 958 8052  
Belgium +32 289 370 75  
France +33 1 7654 9318  
Germany +49 721 958 8052  
Hungary +36 30 605 5480  
Ireland +44 121 29 65 163  
Italy +39 02 3057 8196

Netherlands +31 207 941 398  
Poland +48 717 121 086  
Spain +34 93 299 28 14  
Sweden +46 21 14 55 88  
Switzerland +41 445 788 877  
Turkey +90 216 900 1696  
United Kingdom +44 121 29 65 163

### Asia

China +86 21 6208 1133  
India +9120 4014 7840  
Japan +81 3 5977 5400  
Korea +82 2 539 9980  
Singapore +65 632 55 700  
Taiwan +886 3 578 0060

© Copyright 2016, Cognex Corporation. All information in this document is subject to change without notice. All Rights Reserved. DataMan and Cognex are registered trademarks of Cognex Corporation. All other trademarks are property of their respective owners.  
Lit. No. DM8600100V-DS-2016-05-EN.

[www.cognex.com](http://www.cognex.com)