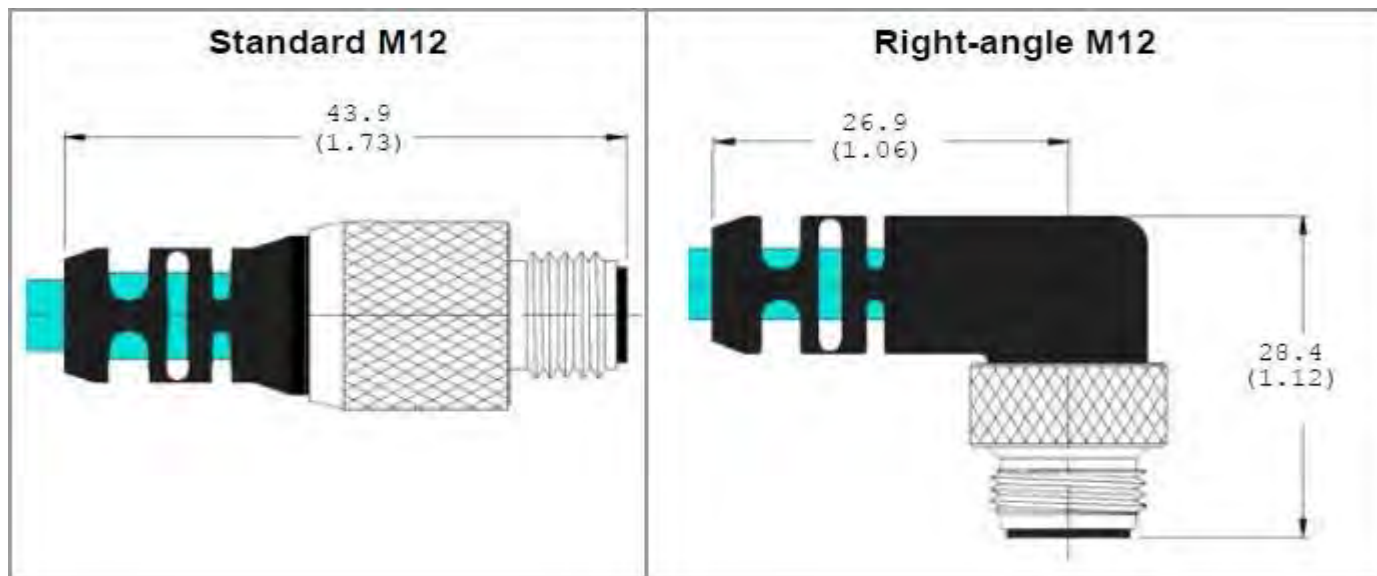


Cognex Ethernet Cables			
	Standard M12 Connector (Straight)	Right-angle M12 Connector (45-deg key)	Right-angle M12 Connector (135-deg key)
Length	Part Number	Part Number	Part Number
.6M (2 ft)	CCB-84901-1001-00	---	---
2M (6 ft)	CCB-84901-1002-02	CCB-84901-6005-02	CCB-84901-7005-02
5M (15 ft)	CCB-84901-1003-05	CCB-84901-6001-05	CCB-84901-7001-05
10M (30 ft)	CCB-84901-1004-10	CCB-84901-6002-10	CCB-84901-7002-10
15M (50 ft)	CCB-84901-1005-15	CCB-84901-6003-15	CCB-84901-7003-15
30M (99 ft)	CCB-84901-1006-30	CCB-84901-6004-30	CCB-84901-7004-30
All Ethernet cables are green and have M12-to-RJ45 connectors			



Color:	Green
Wire:	Copper
Insulation:	Polypropylene
Twisted:	2-wire twisted to a pair
Jacket:	Polyvinylchloride (PVC)
Flame retardant:	Yes
Silicon free:	Yes
Oil resistant:	Yes
Bend cycles:	> 150 thousand cycles
Bend radius:	7.5x max @ 180m/min
Temp range:	-25°C to 80°C